



FOR YOUR PROTECTION...

To aid in reporting this compact copier in case of loss or theft, please record below the model number and serial number located on the back of the unit. We also suggest you record all the information listed and retain for future reference.

MODEL NUMBER _____ SERIAL NUMBER _____

DATE OF PURCHASE _____

Dealer _____

Address _____ City _____

State _____ Zip _____ Telephone _____

Service Station _____

Address _____ City _____

State _____ Zip _____ Telephone _____

For location of the nearest Sharp Authorized Service, or to obtain product literature, accessories, or supplies,

please call **1 - 800 - BE-SHARP**

For customer assistance, please visit <http://www.sharp-usa.com> on the World Wide Web or call **1-(630)378-3590**.



CONTENTS

1 GETTING STARTED

- INTRODUCTION 3
- CAUTIONS 3
- MAIN FEATURES 4
- PART NAMES 6
- OPERATION PANEL 7

2 INSTALLATION

- COPIER INSTALLATION 8
- CAUTIONS ON HANDLING 9
- CHECKING PACKED COMPONENTS AND ACCESSORIES 10
- UNPACKING 10
- REMOVING PROTECTIVE PACKING MATERIALS 11
- INSTALLING THE TD CARTRIDGE 12
- LOADING COPY PAPER (installing the paper tray) 14
- POWER TO COPIER 15
- CONNECTING THE INTERFACE CABLE (AL-840 only) 16
- POWER ON 17
 - Initial settings of operation panel 17

3 MAKING COPIES

- PAPER 18
- NORMAL COPYING 18
 - Setting a large original 21
- EXPOSURE ADJUSTMENT/PHOTO COPYING 21
- REDUCTION/ENLARGEMENT/ZOOM 22
- TWO-SIDED COPYING 23

4 SPECIAL FUNCTIONS

- DESCRIPTION OF SPECIAL FUNCTIONS 25
- TONER SAVE MODE 25
- USER PROGRAMS (power save modes, auto clear time) 26
 - Setting the power save modes and auto clear time 26

5 SUPPLIES AND USER MAINTENANCE

- TD CARTRIDGE REPLACEMENT 28
- DRUM CARTRIDGE REPLACEMENT 29
- USER MAINTENANCE 31
 - Cabinet 31
 - Original table and original cover 32
 - Cleaning the drum cartridge 32
 - When copier is not in use 33

6 COPIER TROUBLE?

- MISFEED REMOVAL 34
 - A. Misfeed in the paper tray 34
 - B. Misfeed in the copier 35
 - C. Misfeed in the exit area 36
- TROUBLESHOOTING 37
 - Copy and print quality problems 38
- STATUS INDICATORS 41
- DISPLAYING TOTAL NUMBER OF COPIES 41
- AUTOMATIC EXPOSURE ADJUSTMENT 42

7 APPENDIX

- SPECIFICATIONS 43
- SUPPLY PART NUMBERS AND STORAGE 44
- MOVING INSTRUCTIONS 45

INDEX

1

GETTING STARTED

This chapter provides basic information for using the copier.

INTRODUCTION

This copier has been designed to provide intuitive operating ease while requiring a minimum amount of space. To get full use of all copier features, be sure to familiarize yourself with this manual and the copier.

For quick reference during copier use, keep this manual in a handy location.



Note

The AL-840 can be used as a copier and as a laser printer while the AL-800 can be used only as a copier. This manual describes only the copier features. For description of the printer features, refer to the printer manual.

Conventions used in this manual

In this manual, the following icons are used to provide the user with information pertinent to the use of the copier.



Warning

Warns the user that injury to the user or damage to the copier may result if the contents of the warning are not properly followed.



Caution

Cautions the user that damage to the copier or one of its components may result if the contents of the caution are not properly followed.



Note

Notes provide information relevant to the copier regarding specifications, functions, performance, operation and such, that may be useful to the user.



Displayed letters or numerals indicate the machine status and required operator actions.

CAUTIONS

Follow the cautions below when using this copier.



Warning

- The fusing area is hot. Exercise care in this area when removing misfed paper.
- Do not switch the printer rapidly on and off. After turning the printer off, wait 10 to 15 seconds before turning it back on.
- Printer power must be turned off before installing any supplies.
- Do not look directly at the light source. Doing so may damage your eyes.



Caution

- Place the copier on a firm, level surface.
- Do not install the copier in a humid or dusty location.
- When the copier is not used for long time, for example for consecutive holidays, turn the power switch off and remove the power cord from the outlet.
- When moving the copier, be sure to turn the power switch off and remove the power cord from the outlet.
- Do not cover the copier with a dust cover, cloth or plastic film while the power is on. Doing so may overheat the copier, resulting in damage to the copier.

CAUTIONS

SAFETY PRECAUTIONS

This Digital Copier is rated Class 1 and complies with 21 CFR 1040.10 and 1040.11 of the CDRH standards. This means that the copier does not produce hazardous laser radiation. For your safety, observe the precautions below.

- Do not remove the cabinet, operation panel or any other covers.
- The copier's exterior covers contain several safety interlock switches. Do not bypass any safety interlock by inserting wedges or other items into switch slots.



Caution

Use of controls or adjustments or performance of procedures other than those specified herein may result in hazardous radiation exposure.

MAIN FEATURES

① High-speed laser copying

- Since warm-up time is zero, copying can be started immediately after the power switch is turned on.
- First-copy time is approximately 12.5 seconds (normal mode).
- Copying speed is 8 copies/min., providing high working efficiency.

② High-quality digital image

- High-quality copying at 600 dpi is performed.
- In addition to the automatic exposure mode, the manual exposure can be adjusted in five steps.
- The photo mode copying function allows clear copying of delicate halftone original images such as monochrome photos and color photos.

③ Substantial copying functions

- Zoom copying from 50% to 200% in 1% increments can be performed.
- Continuous copying up to a maximum 50 sheets can also be performed.
- The toner save mode reduces toner consumption by approximately 10%.
- User programs allow modifications of various functions to suit the user's particular needs.

④ Scan once/ Print many

- The copier is equipped with a 1-page memory buffer. This memory allows the copier to scan an original 1 time only and make up to 50 copies. This feature allows for improved workflow, reduced operating noise from the copier and reduced wear and tear on the scanning mechanism, providing higher reliability.

⑤ Printer feature (AL-840 only)

- The AL-840 functions both as a digital laser copier and a laser printer.

⑥ 250-sheet paper tray

- The paper tray holds up to 250 sheets of copy paper, providing sufficient capacity for office use. The high capacity allows high volume printing and saves labor by reducing the frequency of loading paper.

⑦ Environmentally friendly design

- Paper output tray can be pushed into the copier for space saving when copying is not performed.
- Preheat mode and auto power shut-off mode are provided to reduce power consumption when the machine is not in use.



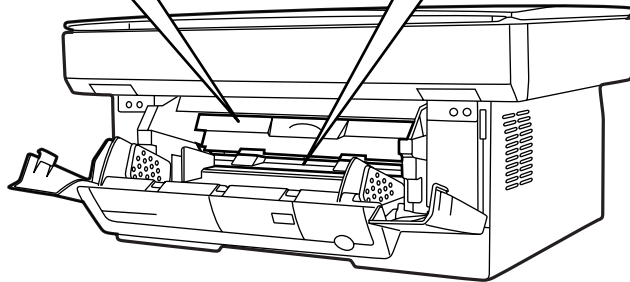
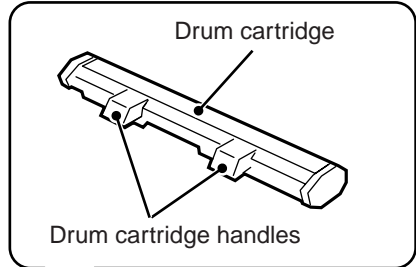
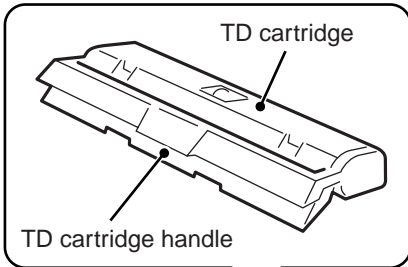
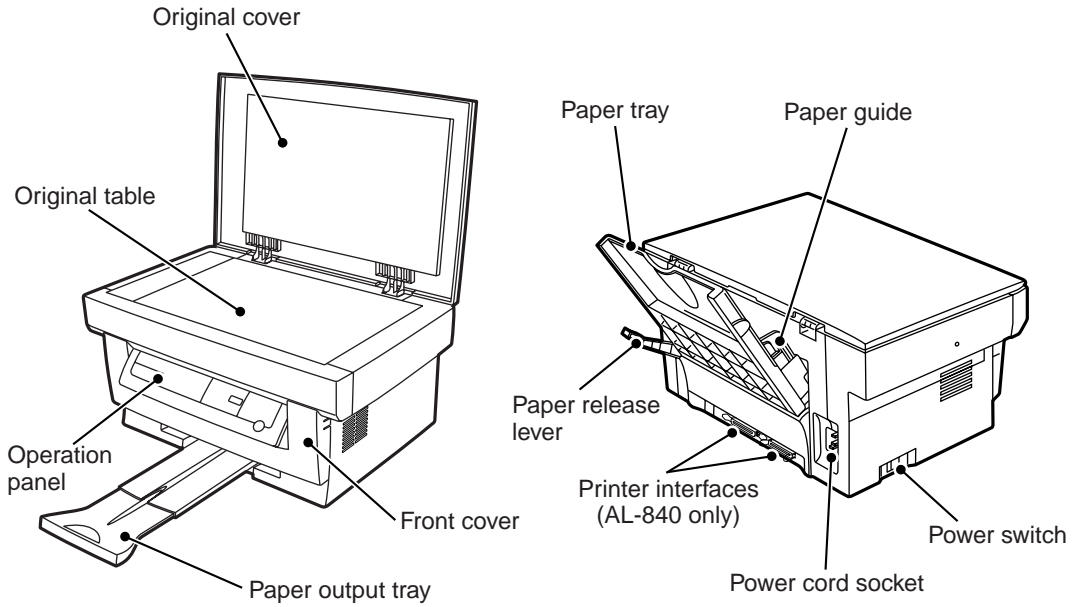
Note

This copier does not have an internal calendar or clock.
This copier will not be affected by the year 2000.

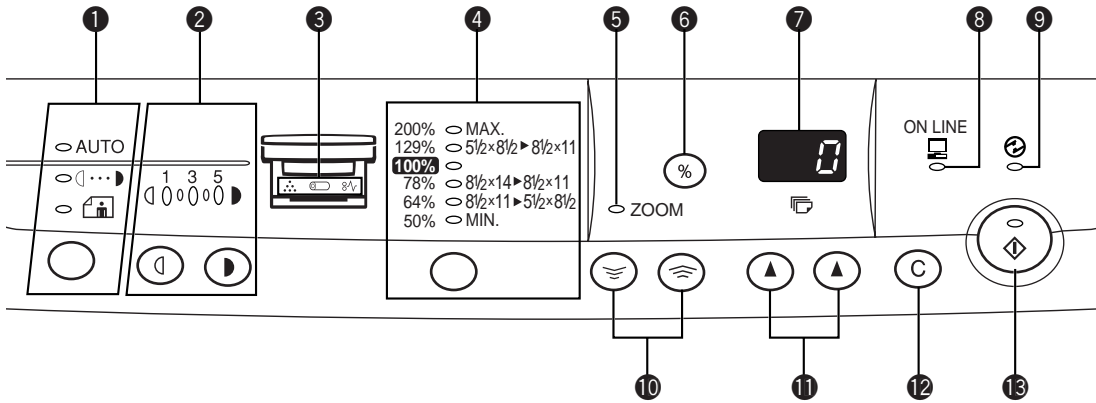
PART NAMES

1

Getting Started



OPERATION PANEL



1 Exposure mode selector key and indicators

Use to sequentially select the exposure modes: AUTO, MANUAL or PHOTO. Selected mode is shown by a lit indicator. (p. 21)

2 Light and dark keys and exposure indicators

Use to adjust the MANUAL or PHOTO exposure level. Selected exposure level is shown by a lit indicator. (p.22)
Also used to start and terminate user program settings. (p. 26)

3 Alarm indicators

- ☐ : Drum replacement required indicator (p. 29)
- ⋯ : TD cartridge replacement required indicator (p. 28)
- ⌘ : Misfeed indicator (p. 34)

4 Copy ratio selector key and copy ratio indicators

Use to sequentially select preset reduction/enlargement copy ratios. Selected copy ratio is shown by a lit indicator. (p. 22)

5 Zoom indicator (p. 22)

6 Copy ratio display (%) key (p. 22)

7 Display

Displays the specified copy quantity, zoom copy ratio, user program codes, and error codes.

8 ON LINE indicator

Lights up when the machine is used as a printer. (AL-840 only)
The ON LINE indicator is not included in the AL-800.
Off: Indicates copying is being performed or an alarm occurs.
Blinking: Indicates printing of data from the computer has been interrupted and copying is being performed.

9 Power save indicator

Lights up when the copier is in a power save mode. (p. 25, 26)

10 Zoom keys

Use to select any reduction or enlargement copy ratio from 50% to 200% in 1% increments. (p. 22)

11 Copy quantity keys

- Use to select the desired copy quantity (1 to 50). (p. 20)
- Use to make user program entries. (p. 26)

12 Clear key

- Press to clear the display, or press during a copy run to terminate copying. (p. 20)
- Press and hold down during standby to display the total number of copies made to date. (p. 41)

13 Print key and ready indicator

- Copying is possible when the indicator is on.
- Use to set a user program.

2

INSTALLATION

Follow the procedure below for proper installation.

COPIER INSTALLATION

Improper installation may damage the copier. Please note the following during initial installation and whenever the copier is moved.

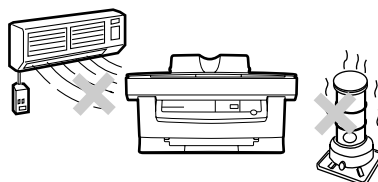
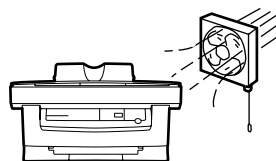
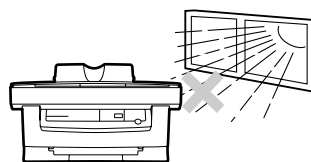
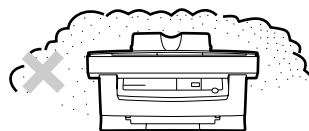


Caution

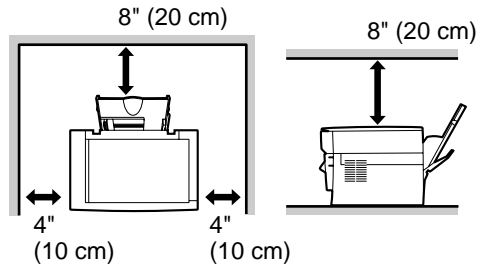
If the copier is moved from a cool place to a warm place, condensation may form inside the copier. Operation in this condition will cause poor copy quality and malfunctions. Leave the copier at room temperature for at least 2 hours before use.

Do not install your copier in areas that are:

- damp, humid, or very dusty
- exposed to direct sunlight
- poorly ventilated
- subject to extreme temperature or humidity changes, e.g., near an air conditioner or heater.



Be sure to allow the required space around the machine for servicing and proper ventilation.



A small amount of ozone is produced within the copier during operation. The emission level is insufficient to cause any health hazard.

NOTE:

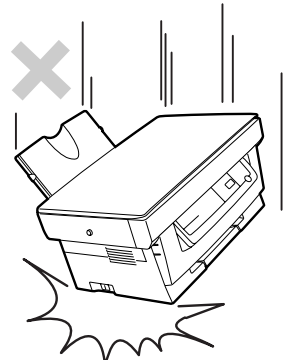
The present recommended long term exposure limit for ozone is 0.1 ppm (0.2 mg/m³) calculated as an 8 hr. time-weighted average concentration.

However, since the small amount that is emitted may have an objectionable odor, it is advisable to place the copier in a ventilated area.

CAUTIONS ON HANDLING

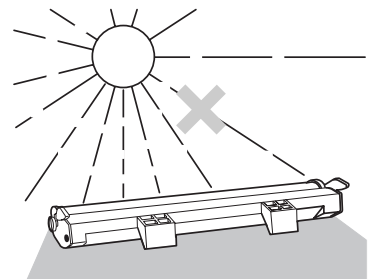
Be careful in handling the copier as follows to maintain the performance of this copier.

Do not drop the copier, subject it to shock or strike it against any object.



Do not expose the drum cartridge to direct sunlight.

Doing so will damage the surface (green portion) of the drum cartridge, causing smudges on copies.



Store spare supplies such as drum cartridges and TD cartridges in a dark place without removing from the package before use.

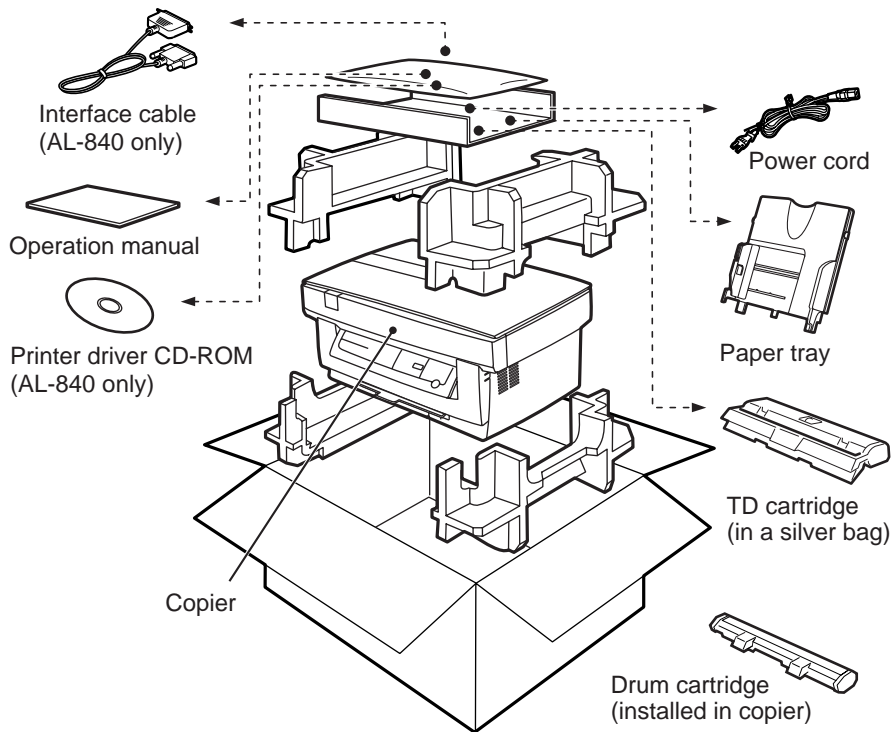
If they are exposed to direct sunlight, poor copy quality may result.

Do not touch the surface (green portion) of the drum cartridge.

Doing so will damage the surface of the cartridge, causing smudges on copies.

CHECKING PACKED COMPONENTS AND ACCESSORIES

Open the carton and check to ensure the following components and accessories are included.

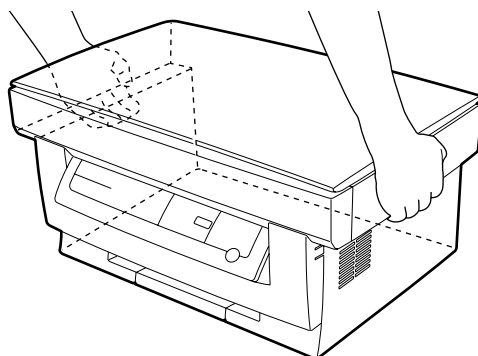


Note

- If anything is not included or is damaged, contact our Technical Assistance Department at 1-(630)378-3590.
- Save the carton and packing materials. These can be re-used for transporting the machine, should it be necessary.

UNPACKING

Unpack the copier and hold it on both sides as shown below to carry it to the installation location.

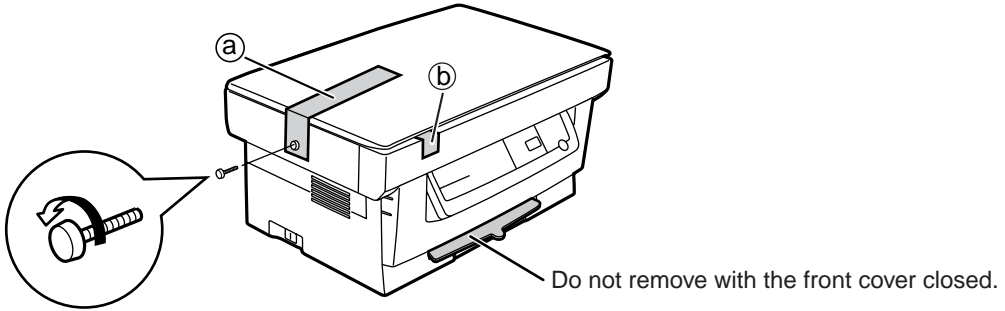


REMOVING PROTECTIVE PACKING MATERIALS

- 1 Remove the screw from the left side of the copier by rotating it in the direction indicated by the arrow. Remove protective material (a).

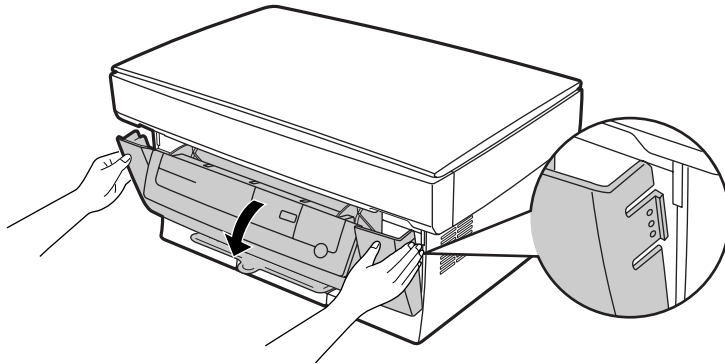


The screw must be used if the copier has to be moved. (p.45) Store the screw inside the front cover.

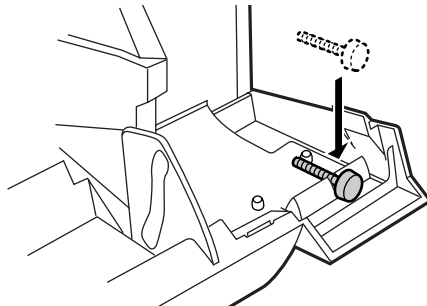


- 2 Remove the tape (b).

- 3 Push gently on both sides of the front cover to open the cover.

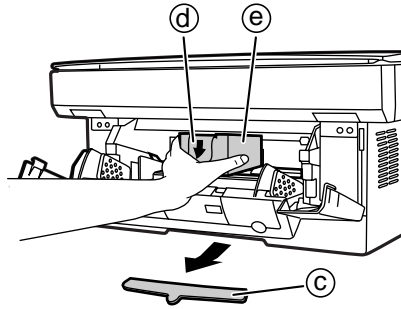


- 4 Store the screw which has been removed in step 1 at the right side inside the front cover.



REMOVING PROTECTIVE PACKING MATERIALS

- 5 After removing protecting material (c), gently pull black protective paper (d) and protective material (e) together and remove them. Be careful not to tear the protective paper during removal.



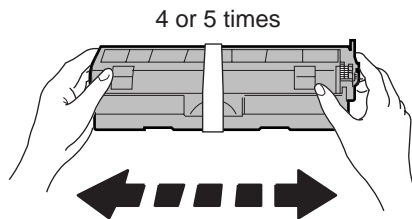
INSTALLING THE TD CARTRIDGE



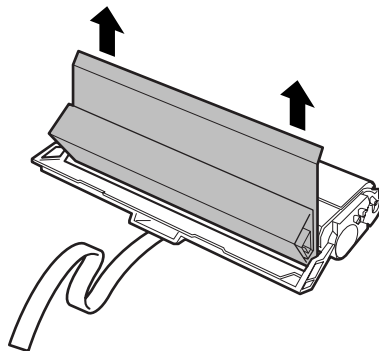
Caution

Be sure to remove the protective paper from the drum cartridge before installing the TD cartridge.

- 1 Remove the TD cartridge from the bag. Hold the cartridge on both sides and shake it horizontally four or five times.

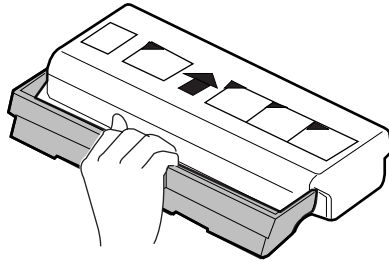


- 2 Remove the protective tape and then the protective cover.



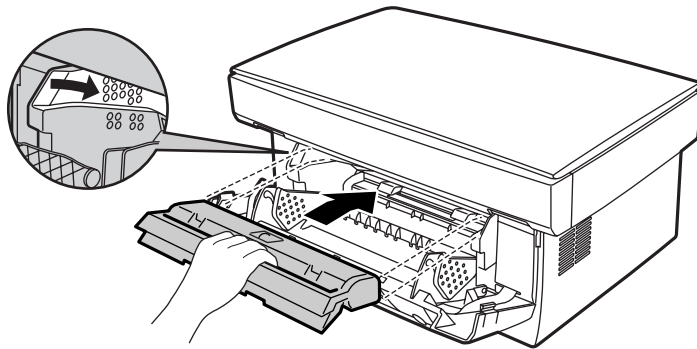
3

Hold the handle of the TD cartridge so that the stamped markings on top of the cartridge are facing upward.



4

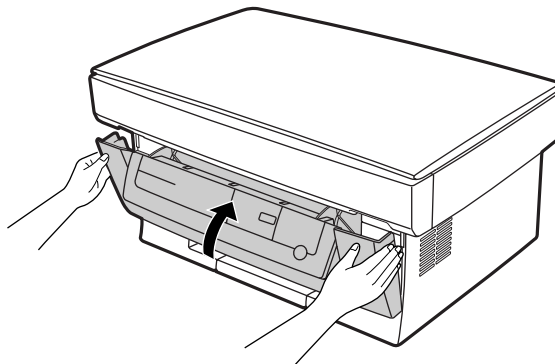
Gently insert the TD cartridge into the copier along the guides in the direction indicated by the arrow.



Align the projections on both sides with the guides.

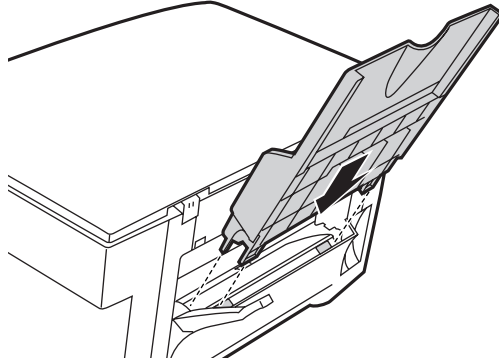
5

Close the front cover.



LOADING COPY PAPER (installing the paper tray)

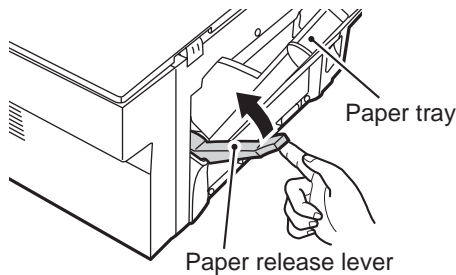
- 1 Hold the paper tray so that the paper guide of the paper tray is facing front and then insert the paper tray into the copier's paper tray slots.



- 2 Pull the paper release lever located at the back of the copier towards the front of the copier.



If the paper is inserted without doing this, paper misfeeds will occur.



View from the back of copier

- 3 For legal size paper, raise the paper support. Fan the copy paper and place it into the paper tray with the side to be printed facing toward you. Position the paper along the right side of the paper tray. Then adjust the paper guide to the paper width.

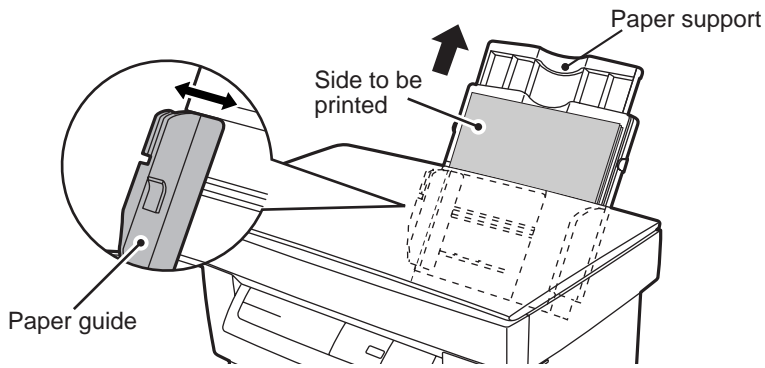


- The paper tray holds up to 250 sheets of standard paper (15 to 21 lbs.). Do not set too many sheets.
- Feed copy paper lengthwise only.
- When copying onto special paper such as labels and transparency film, feed one sheet at a time.



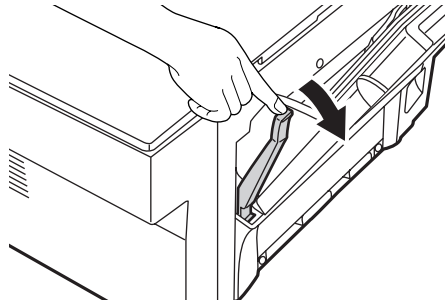
Note

- When copying onto an envelope, insert it so that the side to be printed on is facing upwards and so that the flap on the reverse side is to the right when looking from the front of the copier. Leave a gap of approximately 1/32" (1 mm) between the paper guide and the left edge of the envelope.
- When loading an envelope, make sure that it is straight and flat.



4

Make sure the paper release lever is pushed back. The paper will be clamped by the paper feed roller inside the copier.



Caution

When placing special paper or several sheets of paper or when making two-sided copies, the paper may not be clamped inside the copier even if the paper release lever is pushed back. In this case, repeat the paper release lever operation several times to make sure that the paper is clamped.

POWER TO COPIER

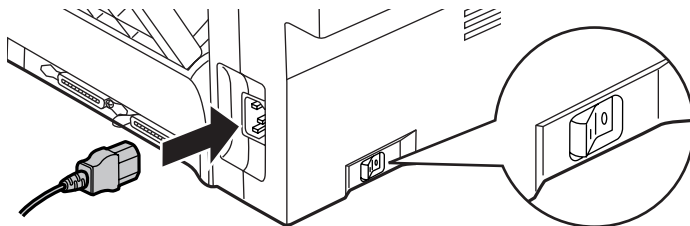
1

Ensure that the power switch of the copier is in the OFF position. Insert the attached power cord into the power cord socket at the rear of the copier.



Warning

If you use the copier in a country other than the country where the copier was purchased, you will need to make sure that the local power supply is compatible with your model. If you plug the copier into an incompatible power supply, irreparable damage to the copier will result.



- 2 Plug the other end of the power cord into the nearest outlet.



Only insert the power cord into a properly grounded wall socket.
Do not use extension cords or power strips.

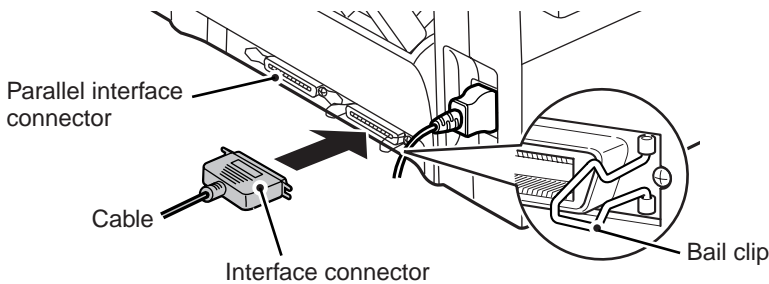
CONNECTING THE INTERFACE CABLE (AL-840 only)

To use the AL-840 as a laser printer, connect it to the parallel interface cable.



- Use the parallel interface cable included with the AL-840.
- For specifications of the parallel interface, see the printer operation manual.

- 1 Check that the power switches of both the printer and the computer are in the OFF position.
- 2 Plug the parallel interface cable into one of the printer interface connectors (either connector can be used). Fasten the two bail clips at the side of the printer connector to hold the interface connector in place.



- 3 Plug the other end of the cable into the parallel interface connector of your computer. (Refer to your computer manual for details.)



The printer sends and receives data bi-directionally and at high speed. Some switch boxes and pass-through devices cannot support high-speed, bi-directional transfer of data, and using them may cause printing errors.

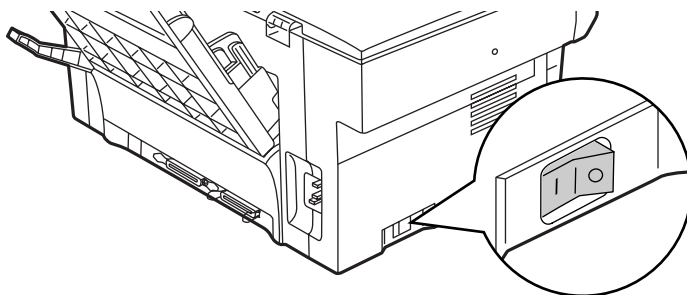
POWER ON

Turn the power switch located on the left side of the copier, to the "ON" position. The ready (Ⓢ) indicator will light to indicate the ready condition and the other indicators will display the initial settings of the copier. For initial settings, see the "Initial settings of the operation panel" described below.



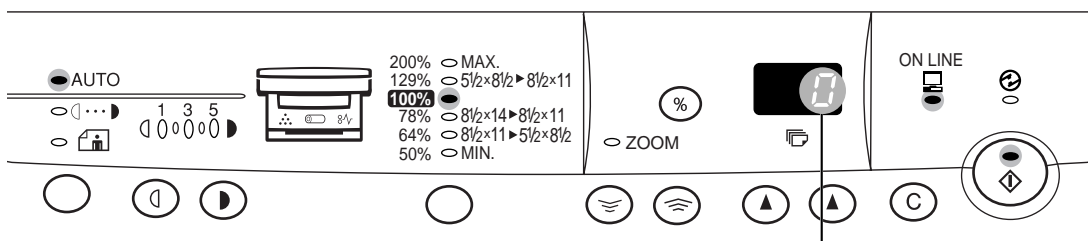
Note

- The copier will enter a power save mode once the set time has elapsed without any copier operation after the last copy of a run is made or power is turned on.
The settings of the power save modes can be modified. See page 26, **USER PROGRAMS**.
- The copier will return to the initial settings a preset amount of time after the last copy is made. The preset amount of time (auto clear time) can be changed. See page 26, **USER PROGRAMS**.



Initial settings of operation panel

The copier assumes the initial settings when the copier is turned on or a preset time (auto clear time) elapses after the last copy is made. The initial settings of the operation panel are shown below.



"0" is displayed in the display.

3

MAKING COPIES

This chapter describes all copying functions.

PAPER

For best results, use only paper recommended by SHARP.

Type of media		Size	Weight
Standard paper and thick paper		Letter (8-1/2" x 11") Legal (8-1/2" x 14") Invoice (5-1/2" x 8-1/2")	15 lbs. to 21 lbs. (250 sheets) 22 lbs. to 24 lbs. (200 sheets)
Special media	Transparency film	Letter (8-1/2" x 11")	14 lbs. to 34.5 lbs.**
	Envelope*	Commercial 10 (4-1/8" x 9-1/2") Monarch (3-7/8" x 7-1/2")	

* Do not use envelopes that have metal clasps, plastic snappers, string closures, windows, linings, self-adhesive, patches or synthetic materials. These will cause physical damage to the copier. Envelopes with bent corners may frequently misfeed. They must be flattened.

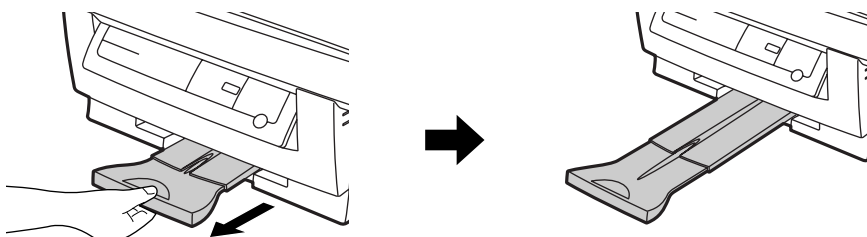
** For paper weighing from 28 to 34.5 lbs., 8-1/2" x 11" is the maximum size that can be fed.

- Special papers such as transparency film and labels must be fed one sheet at a time.

NORMAL COPYING

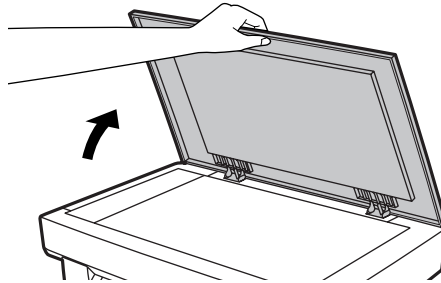
1 Ensure that paper of the desired size is set in the paper tray. See page 14, **LOADING COPY PAPER**.

2 Pull out the paper output tray until it stops as shown in the illustration.

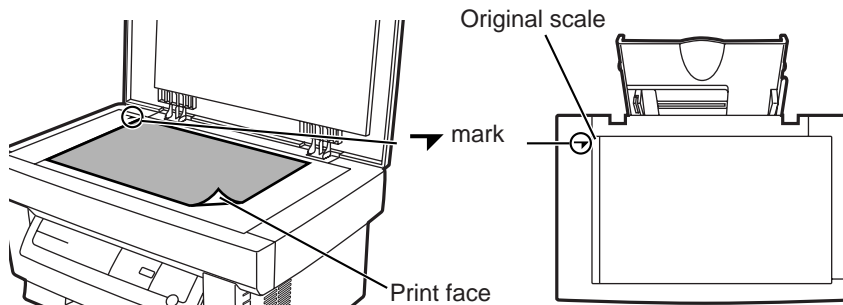


3 Turn the power switch on.

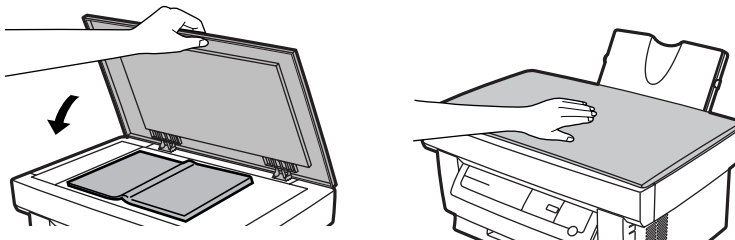
4 Open the original cover.



5 Place an original face down on the original table and align it with the original scale. (Make sure the upper left corner of the original is set to the position indicated by the "▶" mark, as shown.)



6 Gently close the original cover. When copying a book or an original which has been folded or crumpled, press down lightly on the original cover. If the original cover is not securely closed, the copies may be striped or blurred.



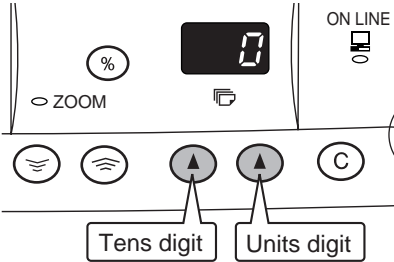
7

Set the number of copies using the two copy quantity (▲, ▲) keys.



Note

- Press the clear (C) key to clear an entry if a mistake is made.
- A single copy can be made with the initial setting, i.e., when “0” is displayed.
- If copying onto special papers, feed one sheet at a time and leave the copy quantity at 0.



- Press the right copy quantity key to set the units digit from 0 to 9. This key will not change the tens digit.
- Press the left copy quantity key to set the tens digit from 1 to 5. Up to 50 copies can be set.

8

Press the print (Ⓢ) key.



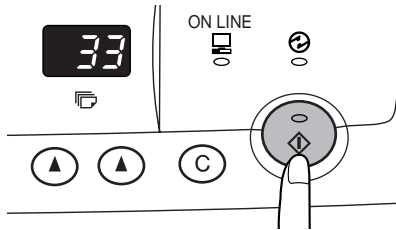
Note

- To display the number of copies made in a continuous run, press the left copy quantity key.
- To stop copying in the middle of a run, press the clear (C) key. Copying will stop and the number in the display will be reset to “0”.
- When the print (Ⓢ) key is pressed while printing is being performed, printing will be interrupted and copying will start. Printing will be resumed after copying is finished. (AL-840 only)



Caution

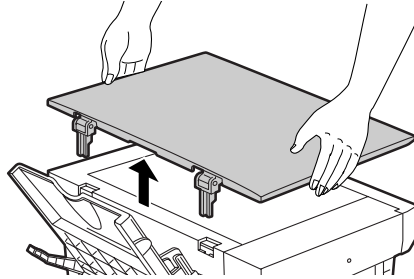
Do not perform copying with the original cover open.



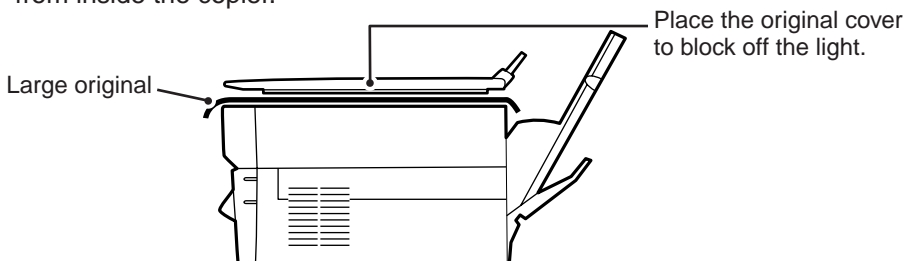
Setting a large original

The original cover can be removed to allow copying of bulky objects.

- 1 Simply lift the original cover straight up.



- 2 Place the original cover that has been removed on the original to block off the light from inside the copier.

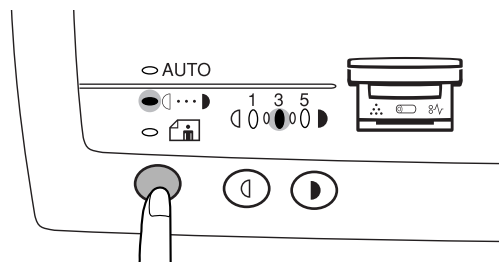


- 3 To reattach the original cover, reverse the above procedure.

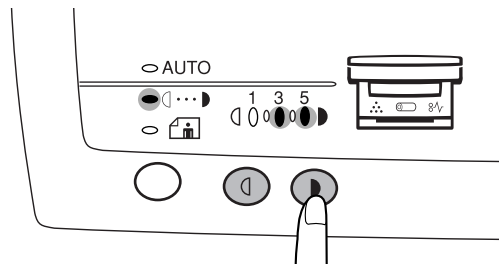
EXPOSURE ADJUSTMENT/PHOTO COPYING

Copy density adjustment is not required for most originals in the automatic exposure mode. To adjust the copy density manually or to copy photographs, the exposure level can be adjusted in five steps manually.

- 1 Set the original and check the copy paper size.
- 2 Press the exposure mode selector key to select the manual (D...D) mode or photo (P) mode.



- 3** Use the light (◀) and dark (▶) keys to adjust the exposure level. If exposure level 2 is selected, the two left-hand indicators will light up simultaneously. If level 4 is selected, the two right-hand indicators will light up simultaneously.



- 4** Set the number of copies using the copy quantity (▲, ▼) keys and press the print (Ⓜ) key.

REDUCTION/ENLARGEMENT/ZOOM

Three preset reduction ratios and two enlargement ratios can be selected. The zoom function enables copy ratio selection from 50% to 200% in 1% increments.

- 1** Set the original and check the copy paper size.
- 2** Use the copy ratio selector key and/or zoom (⊖, ⊕) keys to select the desired copy ratio.

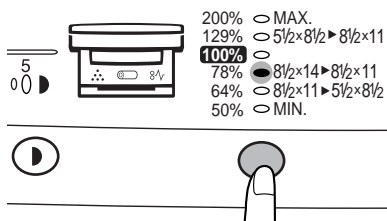


Note

- To verify a zoom setting without changing the zoom ratio, press and hold down the copy ratio display (%) key. When the key is released, the display will return to the copy quantity display.
- To reset the ratio to 100%, press the copy ratio selector key repeatedly until the 100% indicator lights up.
- To decrease or increase the zoom ratio rapidly, press and hold down the ⊖ or ⊕ key. However the value will stop at the preset reduction or enlargement ratios. To move beyond these ratios, release the key and then press and hold it down again.

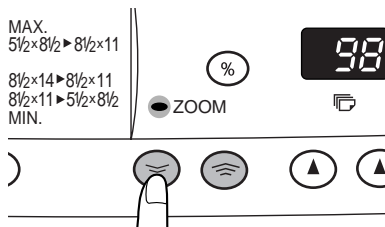
To select a preset copy ratio:

Preset reduction and enlargement ratios are: 50%, 64%, 78%, 129%, and 200%



To select a zoom ratio:

When a zoom (⊖ or ⊕) key is pressed, the ZOOM indicator will light up and the zoom ratio will be displayed in the display.



3

Set the number of copies using the copy quantity (▲, ▲) keys and press the print (⊞) key.

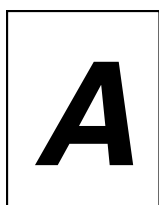
3

Making copies

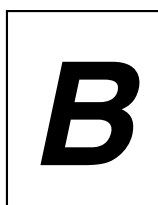
TWO-SIDED COPYING

Two-sided copying can be made on this copier.

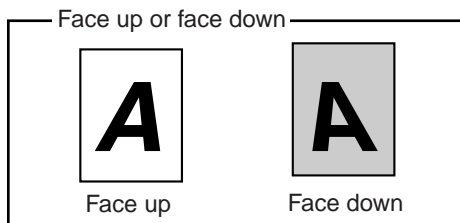
Example: The following two originals will be copied onto both sides of copy paper.



First original

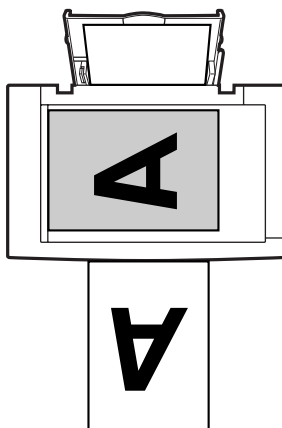


Second original



1

Place the first original on the original table and make a copy.



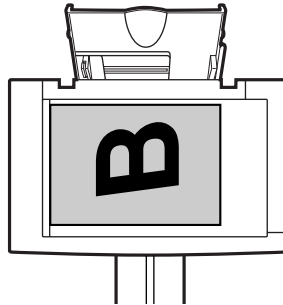
TWO SIDED COPYING

- 2 Replace the first original with the second original on the original table and close the original cover. Place the second original in the reverse orientation to the first original.

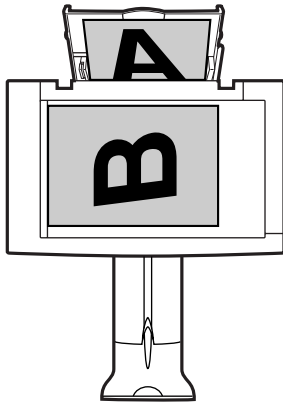


Caution

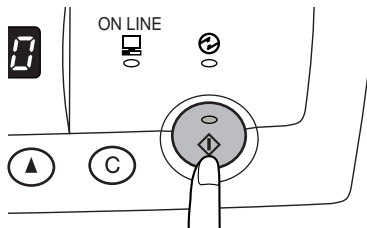
- When feeding copies to copy onto the back side, be sure to feed them one sheet at a time.
- Curled or wavy copies must be flattened before they are fed. If not, crumpling, paper misfeeds or smudges on copies may result.



- 3 Turn the first copy over top to bottom as shown below. Feed the first copy into the paper tray.



- 4 Press the print (⏏) key.



4

SPECIAL FUNCTIONS

DESCRIPTION OF SPECIAL FUNCTIONS

This chapter describes the special functions of this copier.

Toner save mode (page 25)

Reduces toner consumption by approximately 10%.

Power save modes (page 26)

The copier has two power save modes of operation: preheat mode and auto power shut-off mode.

- **Preheat mode**

When the copier enters the preheat mode, the power save (⊕) indicator will light up and other indicators will remain on or off as before. In this condition, the fuser in the copier is maintained at a lower heat level, thereby saving power. To copy from the preheat mode, make desired copier selections and press the print (Ⓞ) key using the normal copying procedure.

- **Auto power shut-off mode**

When the copier enters the auto power shut-off mode, the power save (⊕) indicator will light up and other indicators will go out. The auto power shut-off mode saves more power than the preheat mode but requires a longer time before starting copying. To copy from the auto power shut-off mode, press the print (Ⓞ) key. Then make desired copier selections and press the print (Ⓞ) key using the normal copying procedure.

Auto clear (page 26)

The copier returns to the initial settings a preset amount of time after the last copy is made. This preset amount of time (auto clear time) can be changed.

TONER SAVE MODE

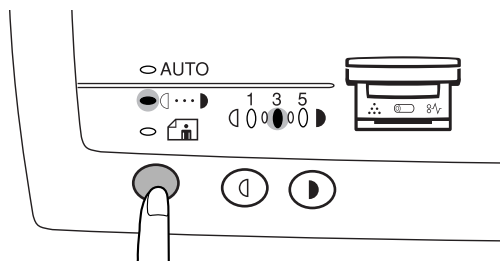


Note

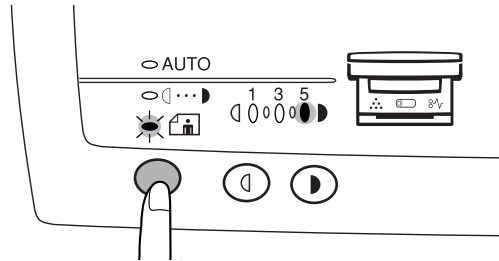
When the machine is used as a computer printer (AL-840 only), the toner save mode which is set as described below does not function. Set the toner save mode using the printer driver. See the printer operation manual.

1

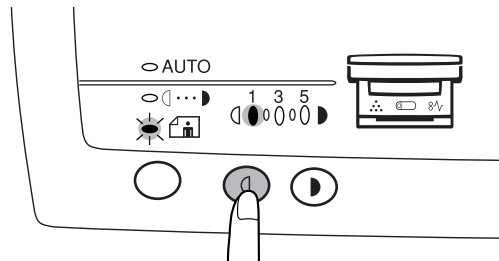
Press the exposure mode selector key to select the manual (Ⓞ) mode.



- 2 Press and hold down the exposure mode selector key for approximately 5 seconds. The manual (☐⋯▶) indicator will go out and the photo (📷) indicator will begin to blink. The exposure indicator marked “5” will light up, indicating the standard toner mode is active.



- 3 To enter the toner save mode, press the light (☐) key. The exposure indicator marked “1” will light up, indicating the toner save mode is selected.



- 4 Press the exposure mode selector key twice. The photo (📷) indicator will stop blinking and the AUTO indicator will light up steadily. The toner save mode is now active.



Note

To return to the standard mode, repeat the procedure but use the dark (▶) key to select exposure level “5” in step 3.

USER PROGRAMS (power save modes, auto clear time)

The user programs allow the parameters of certain functions to be set, changed, or canceled as desired.





Note

Paper must be present in the paper tray before user programs can be accessed.

Setting the power save modes and auto clear time

- 1 Press and hold down the light (☐) and dark (▶) keys simultaneously for more than 5 seconds until all the alarm indicators (🔊, ⚠, ⚠) blink and “— —” appears in the display.
- 2 Use the left copy quantity (⬆) key to select a user program number (1: auto clear time, 2: preheat mode, 3: auto power shut-off timer, 5: auto power shut-off mode, 9: paper detection mode). The selected number will blink in the left side of the display.

3 Press the print () key. The entered program number will be lit steadily and the currently selected parameter number for the program will blink on the right side of the display.


4 Select the desired parameter using the right copy quantity () key. The entered parameter number will blink on the right of the display.

Program No.	Mode	Parameters		
1	Auto clear time	0 ⇨ OFF 3 ⇨ 90 sec.	1 ⇨ 30 sec. 4 ⇨ 120 sec.	* 2 ⇨ 60 sec.
2	Preheat mode	0 ⇨ 30 sec.	1 ⇨ 60 sec.	* 2 ⇨ 90 sec.
3	Auto power shut-off timer	0 ⇨ 2 min. 3 ⇨ 30 min.	* 1 ⇨ 5 min. 4 ⇨ 60 min.	2 ⇨ 15 min. 5 ⇨ 120 min.
5	Auto power shut-off mode	0 ⇨ OFF	* 1 ⇨ ON	
9	Paper detection mode	0 ⇨ OFF	* 1 ⇨ ON	

Factory default settings are indicated with an asterisk (*).


Paper detection mode

If the width of the paper in the paper tray is less than 8-1/2", the width of scanning will be reduced to 5-1/2".

5 Press the print () key. The right-hand number in the display will be lit steadily and the entered value will be stored.



Note

To change the setting or to set another mode, press the clear () key. The copier will return to step 2.

6 Press the light () or dark () key to return to the normal copy mode.

5

SUPPLIES AND USER MAINTENANCE

This chapter describes how to replace the TD cartridge and the drum cartridge.



Caution

Be sure to use only genuine SHARP parts and supplies.

TD CARTRIDGE REPLACEMENT

The TD cartridge replacement required (∴) indicator will light up when toner is needed. For information on purchasing TD cartridges, see **SUPPLY PART NUMBERS AND STORAGE** on page 44. If copying is continued while the ∴ indicator is lit, copies will gradually become lighter until the copier stops and the indicator begins blinking. Replace the old TD cartridge by following the procedure given below.



Note

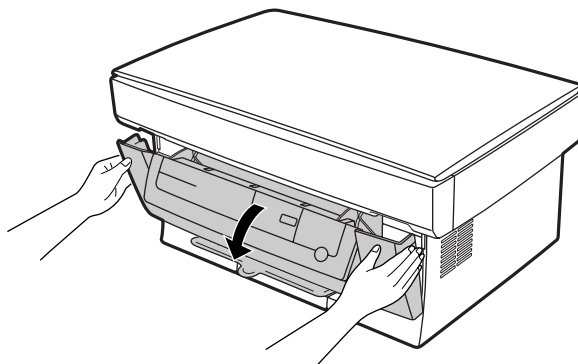
When the indicator begins to blink, it may be possible to make a few more copies by taking the TD cartridge out of the copier, shaking it horizontally, then reinstalling it. If copying is not possible after this operation, replace the TD cartridge.

1

Turn off the copier power.

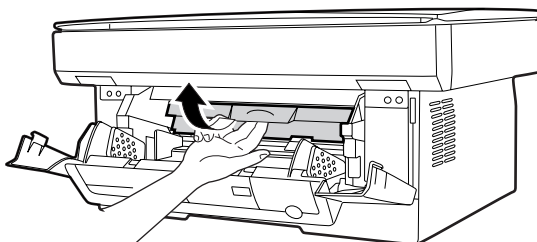
2

Push gently on both sides of the front cover to open the cover.

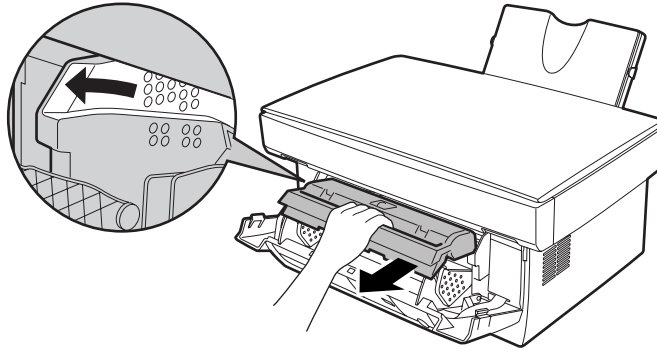


3



Release the TD cartridge lock by inserting your fingers into the groove at the center of the handle.




- 4 Grasp the handle of the cartridge and pull the cartridge clear of the copier. Dispose of the old TD cartridge in accordance with local regulations.



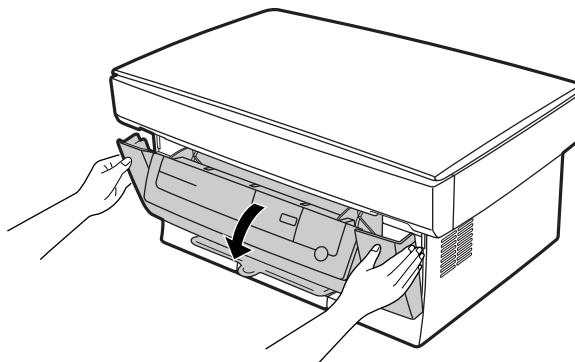
- 5 Install a new TD cartridge. To install the new cartridge, see page 12, **INSTALLING THE TD CARTRIDGE**.

- 6 Close the front cover and turn on the copier power. The  indicator will go out and the ready () indicator will light up.

DRUM CARTRIDGE REPLACEMENT

The useful life of the drum cartridge is approximately 20,000 copies. When the internal counter reaches approximately 19,000 copies, the drum replacement required () indicator will light up indicating that replacement of the drum cartridge will be needed soon. For information on purchasing drum cartridges, see **SUPPLY PART NUMBERS AND STORAGE** on page 44. When the indicator begins to blink, the copier will stop operating until the cartridge is replaced. Replace the drum cartridge at this time.

- 1 Place some scrap paper on a nearby level surface.
- 2 Turn off the copier power.
- 3 Push gently on both sides of the front cover to open the cover.



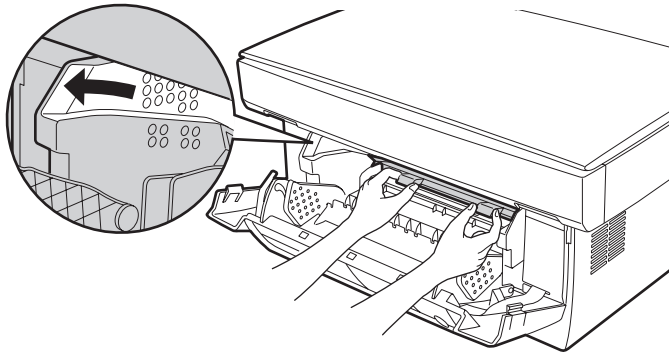
DRUM CARTRIDGE REPLACEMENT

- 4 Gently pull the TD cartridge out and place it on the scrap paper which was prepared in step 1. To remove the TD cartridge, see page 28, step 3.
- 5 Using both hands grasp the tabs on the drum cartridge between your thumb and index finger and gently pull the cartridge up and out in a circular motion to lift it clear of the copier. Dispose of the old drum cartridge in accordance with local regulations.



Warning

The fusing unit beneath the drum cartridge is hot. Be careful not to touch the fusing unit when removing the drum cartridge.



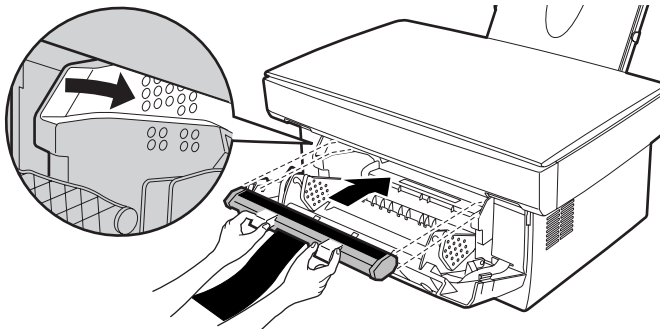
- 6 Remove the new drum cartridge from the plastic bag and set it down on a clean, uncluttered and level surface being careful not to touch the drum surface.



Caution

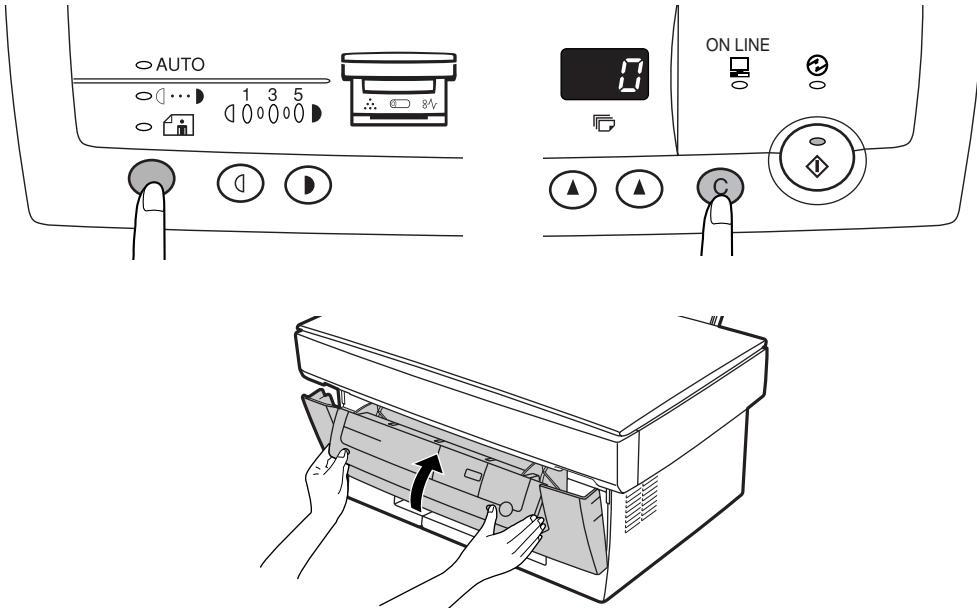
The new drum cartridge is sealed with a sheet of black protective paper to shield the drum from light. To prevent damage to the drum surface, do not remove the protective paper until you have inserted the cartridge into the copier.

- 7 Using both hands grasp the tabs on the new drum cartridge between your thumb and index finger, place the two projections on both ends of the cartridge along the guides, and gently insert the cartridge in the direction indicated by the arrow.




- 8 Carefully remove the sheet of black protective paper from the drum cartridge, making sure not to leave any torn pieces of paper in the copier.


- 9 Gently replace the TD cartridge. To install the TD cartridge, see page 12, **INSTALLING THE TD CARTRIDGE**.
- 10 Turn on the copier power. While pressing and holding down both the exposure mode selector key and clear (C) key, close the front cover. Continue to hold down these keys for five seconds (drum initialization processing). The drum replacement required (D) indicator will go out.



USER MAINTENANCE

Proper care is essential in order to get clean, sharp copies. Be sure to take a few minutes to regularly clean the copier.

 **Warning** Before cleaning, be sure to turn the power switch off and remove the power cord from the outlet.

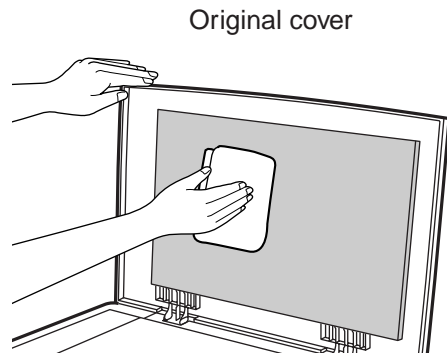
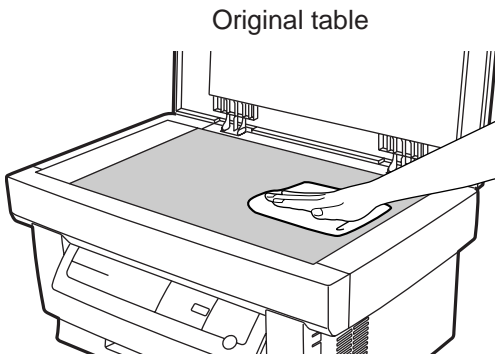
 **Caution** Do not use thinner, benzene or other volatile cleaning agents. Doing so may cause deformation, discoloration, deterioration or malfunction.

Cabinet

Wipe the cabinet with a soft, clean cloth.

Original table and original cover

Dirt or stains on the glass or cover will also be copied. Wipe the glass and the cover with a soft, clean cloth. If necessary, dampen the cloth with water or a glass cleaner.



Cleaning the drum cartridge

If some parts of the images are missing from the printed page, you may need to clean the surface of the drum in the drum cartridge. Because the drum surface is very sensitive, you must take extreme care when cleaning it, otherwise it may become damaged, and any damage to this component will have a serious effect on the print quality.

Follow the procedure below to clean the drum surface.

- 1** Turn off the copier power.
- 2** Remove the TD cartridge. To remove the TD cartridge, see page 28, step 3.
- 3** Remove the drum cartridge. To remove the drum cartridge, see page 29, **DRUM CARTRIDGE REPLACEMENT**.



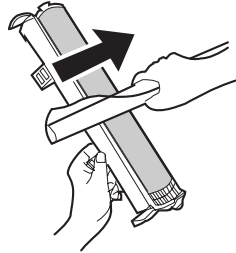
Put the drum cartridge down on a clean, uncluttered and level surface. The drum can easily become damaged if it is not handled with care.

- 4** Take a sheet of clean paper and roll it into a tube. Roll it tightly so that the diameter of the hole at each end is less than the thickness of your little finger.

- 5 Gently rub the surface of the drum (green portion) with the rolled-up paper to remove any particles of toner caking on the drum.



- Do not touch the drum surface with the edges of rolled-up paper.
- Do not let the drum surface come into contact with anything other than the rolled-up paper. Fingerprints, water, alcohol and other solvents will damage the drum surface.



- 6 Replace the drum cartridge. (See page 29, **DRUM CARTRIDGE REPLACEMENT.**)

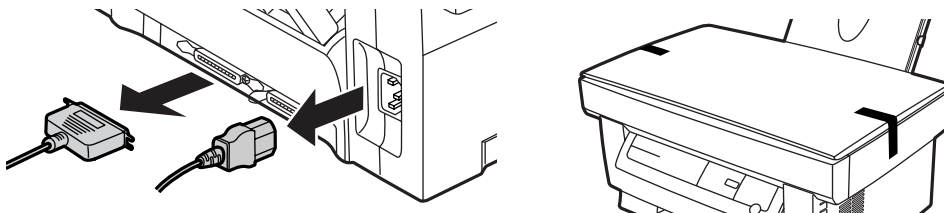
- 7 Replace the TD cartridge. (See page 28, **TD CARTRIDGE REPLACEMENT.**)

- 8 Close the front cover and turn on the copier power.

When copier is not in use

To prevent entry of dust and foreign matter, store the copier as follows.

- 1 Remove the power cord and the interface cable (AL-840 only) and secure the copier using tape (two locations).



If this copier is not in use for a long time, remove the copy paper from the paper tray and store it in a location that is not humid. If the copy paper is left in the paper tray for a long time, it will absorb moisture, resulting in paper misfeeds.

6

COPIER TROUBLE?

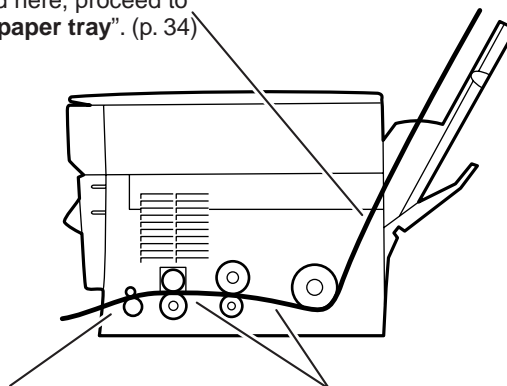
This chapter describes misfeed removal and troubleshooting.

MISFEED REMOVAL

When the misfeed (⌘) indicator blinks or  blinks in the display, the copier will stop because of a misfeed. First check the misfeed location. Remove the misfed paper following the instructions for each location shown in the illustration below.

If  blinks in the display, proceed to **"A. Misfeed in the paper tray"**. (p. 34)

If the paper is misfed here, proceed to **"A. Misfeed in the paper tray"**. (p. 34)

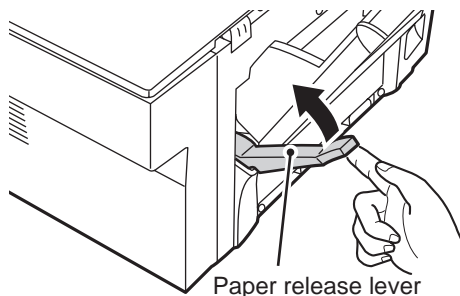


If the misfed paper is seen from this side, proceed to **"C. Misfeed in the exit area"**. (p. 36)

If paper is misfed here, proceed to **"B. Misfeed in the copier"**. (p. 35)

A. Misfeed in the paper tray

- 1 Pull the paper release lever at the right of the paper tray toward you.

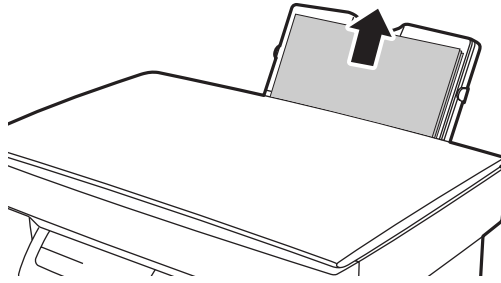


- 2 Remove all the paper, including the jammed paper, from the paper tray.



Caution

If the misfed paper will not come out easily, do not pull it hard, as you may tear it or damage the printing mechanism. In such cases, proceed to **"B. Misfeed in the copier"** on page 35.



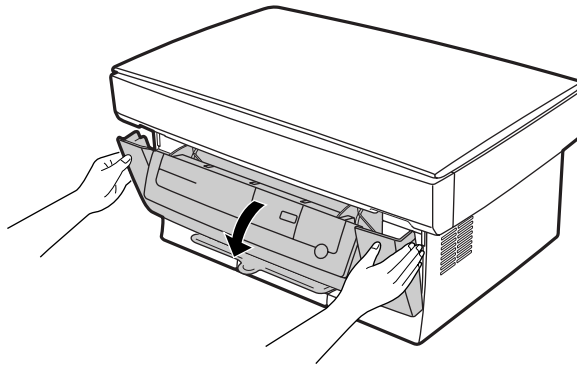
3 Straighten the edges of the stack of paper and then reinsert it into the paper tray.

4 Push the paper release lever back again to secure the paper.

B. Misfeed in the copier

1 Place some scrap paper on a nearby level surface.

2 Push gently on both sides of the front cover to open the cover.



3 Gently pull the TD cartridge out and place it on the scrap paper which was prepared in step 1. To remove the TD cartridge, see page 28, step 3.

4 Take a piece of scrap paper that is larger than the drum cartridge and fold it in half. Keep this paper ready to shield the light-sensitive part of the drum cartridge from light after it is removed from the copier.



Caution

- The paper to be used for placing the TD cartridge and drum cartridge may become soiled due to toner, etc.
- The paper for placing the drum cartridge must be large enough to cover the surface of the cartridge (green portion) when folded in half.

5 Gently pull the drum cartridge out and wrap the removed drum cartridge in the paper which was prepared in step 4 so that the green drum section is shielded from light. Place the drum cartridge down on a level surface. To remove the drum cartridge, see page 29, **DRUM CARTRIDGE REPLACEMENT**.

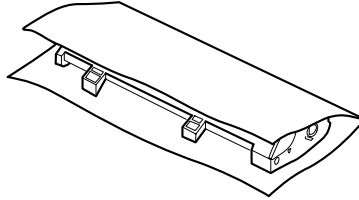
MISFEED REMOVAL



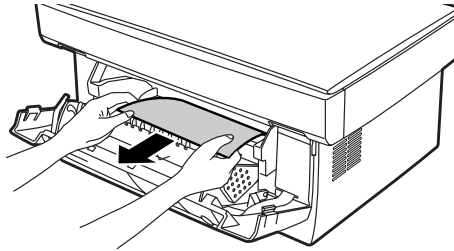
The fusing unit is hot. Do not touch the fusing unit when removing misfed paper. Doing so may cause a burn injury.



Do not touch the surface of the drum (green portion) of the drum cartridge. Doing so may damage the drum and cause smudges on copies.



- 6 Remove the misfed paper by grasping the end of the paper nearest you and pulling it gently in a straight line.



- 7 Replace the drum cartridge. (See page 29, **DRUM CARTRIDGE REPLACEMENT.**)

- 8 Replace the TD cartridge. (See page 28, **TD CARTRIDGE REPLACEMENT.**)

- 9 Close the front cover.

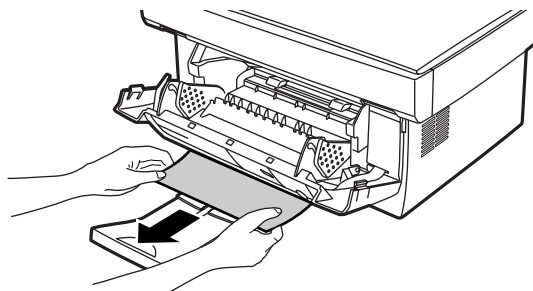
C. Misfeed in the exit area

- 1 Push gently on both sides of the front cover to open the cover.

- 2 Remove the misfed paper from the exit area by grasping the end of the paper and pulling it gently in a straight line.



Do not pull the misfed paper with the front cover closed, as you may tear it or damage the printing mechanism. Be sure to open the front cover and then remove the misfed paper.



- 3 Close the front cover.


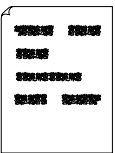


TROUBLESHOOTING




If any problem occurs, check the list below before contacting the SHARP service center.

Problem	Possible cause	Solution	See page:
Copier does not operate.	Copier plugged in?	Plug the copier into a grounded outlet.	15
	Power switch on?	Turn the power switch on.	17
	Front cover closed?	Gently close the front cover .	–
Blank copies	Is the original placed face down on the original table?	Place the original face down on the original table.	19
Power save (Ⓢ) indicator on.	Is the copier in the preheat mode?	Press any key to cancel the preheat mode.	25
	Is the copier in the auto power shut-off mode?	Press the print (Ⓢ) key to cancel the auto power shut-off mode.	25
Copies are too dark or too light.	Is original image too dark or too light?	Adjust the exposure manually.	21
	Is the copier in the automatic exposure mode?	Adjust the automatic exposure level.	42
	Is the copier in the photo exposure mode?	Cancel the photo exposure mode.	21
Dust, dirt, smudges appear on copies.	Original table or original cover dirty?	Clean regularly.	32
	Original smudged or blotchy?	Use a clean original.	–
Part of images missing.	Is drum cartridge clean?	Clean the drum cartridge.	32
Paper misfeeds frequently.	Non-standard paper used?	Use standard paper. If using special papers, feed the paper one sheet at a time.	18
	Paper curled or damp?	Store copy paper flat in the wrapper in a dry location.	–
	Pieces of paper inside copier?	Remove all pieces of misfed paper.	34
	Paper guide in the paper tray not set properly?	Set the guide properly depending on the paper size.	14
	Too much paper in the paper tray?	Remove excessive paper from the paper tray.	14
	TD cartridge or drum cartridge not installed properly.	Ensure that the TD cartridge and drum cartridge are installed properly.	28, 29
Images rub off the copy easily.	Is the copy paper too heavy?	Use copy paper within the specified range.	18
	Paper damp?	Replace with dry copy paper. If the copier is not used for a long time, remove the paper from the paper tray and store it in its wrapper in a dry location.	44

Copy and print quality problems


The causes listed in the table below are probable causes only, and may not represent all of the possible cases which may occur under actual operating conditions. If you experience a problem which does not seem to fall under any of the cases listed in this table, or if you are concerned about any other aspect of copying and printing operation, contact your SHARP service center.

Problem	Possible cause	Solution	See page:
Irregular faded patches or print 	There is a paper quality problem.	Use only paper that meets the specifications required by the copier.	18
	Toner may be unevenly distributed.	Remove the TD cartridge and shake it gently to evenly distribute the toner. Then replace the TD cartridge.	28
Copier prints out blank pages.	The TD cartridge is not installed properly.	Check that the TD cartridge is installed correctly.	28
Black staining 	There is a paper quality problem.	Use only paper that meets the specifications required by the copier.	18
	A TD cartridge from another SHARP copier has been installed.	Always use the same TD cartridge with the same copier. Using a cartridge that has already been used in another copier may not give satisfactory results.	—
Character voids 	The paper may be too dry.	Try copying or printing with a different batch of paper.	—
Image voids along a paper edge 	TD cartridge or drum cartridge not installed properly.	Ensure that the TD cartridge and drum cartridge are installed properly.	28, 29

Problem	Possible cause	Solution	See page:
Background scatter 	The paper may be too damp.	Try copying or printing with a different batch of paper. Do not open packages of paper until necessary so that the paper does not absorb too much moisture from the air.	44
	Copying or printing over uneven surfaces.	If printing onto envelopes, change your printing layout to avoid printing over areas that have overlapping seams on the reverse side.	–
	Operating environment (temperature, humidity) is not proper.	Use the copier in proper operating environment.	8
Missing characters 	The paper may be too damp.	Try copying or printing with a different batch of paper. Do not open packages of paper until necessary so that the paper does not absorb too much moisture from the air.	44
	The drum may be dirty.	Clean the drum.	32
Double printing (previous image overlaps with current image)	Thick paper is used.	Feed thick paper one sheet at a time.	18
	The paper may be too dry.	Try copying or printing with a different batch of paper.	–
Back of printout dirty	The transfer roller may be dirty.	Copy or print a few blank pages to clean the transfer roller.	–
Low resolution print feature is activated.*1	There may be too many applications open.	Close all unnecessary applications before printing.	–
	Resolution is set to 600 dpi.	Set resolution to 300 dpi.	–
Faded graphics 	Toner may be unevenly distributed.	Remove the TD cartridge and gently shake it horizontally to evenly distribute toner.	28
	Toner is low.	TD cartridge must be replaced soon. Obtain a new TD cartridge.	44

*1 Low resolution print (AL-840 only)

If a page including complex graphics or various kinds of fonts is printed, the computer resource may be insufficient. In this case, the printer driver activates the low resolution printing feature which automatically lowers the resolution of a complex page.

Problem	Possible cause	Solution	See page:
Half of the page is blank.*1 	The page layout is too complex.	Simplify the page layout to reduce required memory.	—
	Resolution is set to 600 dpi.	Set resolution to 300 dpi.	—
	Page orientation setting may be incorrect.	Change the page orientation with the printer driver.	—
	There may be too many applications open.	Close all unnecessary applications before printing.	—
	The paper in the tray may be larger than the paper size specified in your application or printer driver.	Load the correct paper into the paper tray.	—
	Interface cable specifications may be incorrect.	Use the interface cable included with the AL-840.	—
	The CPU specifications may be incorrect.	Check that the CPU of your computer is 486DX 66 MHz or better.	—
	The computer may have insufficient random-access memory (RAM).	Install more random-access memory (RAM) in your computer.	—






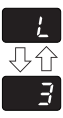
*1 The problem occurs only if the copier is used as a printer. (AL-840 only) See also the printer operation manual.

STATUS INDICATORS

When any of following indicators light up or blink on the operation panel or the following alphanumeric codes appear in the display, solve the problem by referring to both the table below and the relevant page.



Caution Be sure to use only genuine SHARP parts and supplies.

Indication		Cause and remedy		See page:
	Drum replacement required indicator	Steadily lit	Replacement of drum cartridge will be needed soon. Obtain a new cartridge.	44
		Blinking	Drum cartridge must be replaced. Replace it with a new one.	29
	TD cartridge replacement required indicator	Steadily lit	Replacement of TD cartridge will be needed soon. Obtain a new cartridge.	44
		Blinking	TD cartridge must be replaced. Replace it with a new one.	28
	Misfeed indicator	Blinking	A misfeed has occurred. Remove the misfed paper referring to the description of "Misfeed removal."	34
	"CH" is blinking in the display.		The TD cartridge is not installed. Check if the cartridge is installed.	28
	"CH" is steadily lit in the display.		Front cover is open. Close the front cover securely.	–
	"P" is blinking in the display.		Paper tray is empty. Load copy paper.	14
			A misfeed has occurred in the paper tray. Remove the misfed paper.	34
	A letter and a number appear alternately.		The copier will not function. Turn the power switch off, remove the power cord from the outlet, and contact your SHARP service center.	–

DISPLAYING TOTAL NUMBER OF COPIES

Use the following procedure to display the total number of copies.

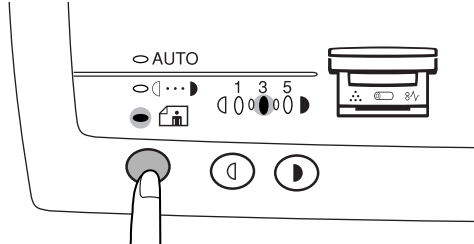
- 1** Press the clear (Ⓢ) key to reset the display to zero.
- 2** Press and hold down the clear (Ⓢ) key for approximately 5 seconds. The total number of copies will appear in two steps, each with three digits.
Example: Total number of copies is 1,234.



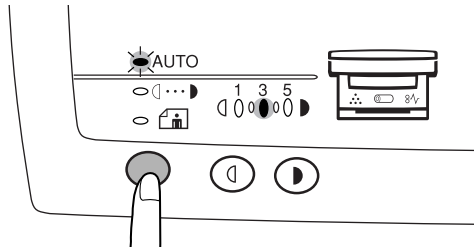
AUTOMATIC EXPOSURE ADJUSTMENT

The automatic exposure level can be adjusted to suit your copying needs.

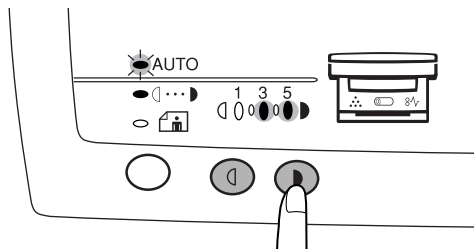
- 1** Press the exposure mode selector key to select the photo (📷) mode.



- 2** Press and hold down the exposure mode selector key for approximately 5 seconds. The photo (📷) indicator will go out and the AUTO indicator will begin to blink. One or two exposure indicators corresponding to the automatic exposure level which has been selected will light up.



- 3** Press the light (⏪) or dark (⏩) key to lighten or darken the automatic exposure level as desired. If exposure level 2 is selected, the two left-hand indicators will light up simultaneously. Also, if level 4 is selected, the two right-hand indicators will light up simultaneously.

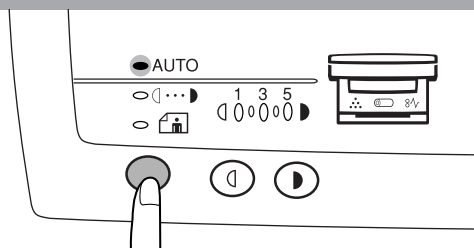


- 4** Press the exposure selector key. The AUTO indicator will stop blinking and light up steadily.



Note

This automatic exposure level will remain in effect until you change it again by this procedure.



7

APPENDIX

SPECIFICATIONS

Type	Digital copying machine, desk-top type
Copy system	Dry, electrostatic transfer
Originals	Sheets, bound documents
Original size	Max. 8-1/2" x 14"
Copy sizes	8-1/2" x 14" to 3-7/8" x 5-7/8" (Feed copy paper lengthwise only.) Image loss: Max. 13/64" (5 mm) (leading and trailing edges) Max. 1/8" (3 mm) (either of the other edges)
Copy speed	8 copies/min.
Continuous copying	Max. 50 copies; subtractive counter
First-copy time* (for letter size)	Approx. 12.5 sec. (normal copying mode)
Copy ratio	Variable: 50% to 200% in 1% increments (total 151 steps) Fixed: 50%, 64%, 78%, 100%, 129%, 200%
Exposure system	Moving optical source, slit exposure (stationary platen) with automatic exposure
Copy paper feed	One paper tray with automatic feed (250 sheets)
Fusing system	Heated pressure roller method
Development system	Mono component electrostatic roller method
Light source	Fluorescent lamps
Resolution	Scan: 400 dpi Output: 600 dpi
Gradation	Scan: 256 levels Output: 2 levels
Power supply	AC 120V (±10%), 60 Hz (±2%)
Power consumption	600 W
Overall dimensions	18.2" (W) x 29.6" (D) (460 mm (W) x 750 mm (D))
Weight	Approx. 24.3 lbs. (11 kg), TD and drum cartridges included
Copier dimensions	18.2" (W) x 16.8" (D) x 9.1" (H) (460 mm (W) x 425 mm (D) x 229 mm (H))
Operating conditions	Temperature: 50°F to 95°F (10°C to 35°C) Humidity: 20% to 80% (Max. 60% at 95°F (35°C))
Noise level	Sound Power Level LWA (1B=10dB) Copying: 6.7 [B (A)], Standby: Background noise level Sound Pressure Level LPA (bystander positions) Copying: 49 [dB (A)], Standby: Background noise level Noise emission measurement in accordance with ISO 7779.

* First-copy time may differ depending on operating conditions, such as power-supply voltage and room temperature.



Note

As a part of our policy of continuous improvement, SHARP reserves the right to make design and specification changes for product improvement without prior notice. The performance specification figures indicated are nominal values of production units. There may be some deviations from these values in individual units.

SUPPLY PART NUMBERS AND STORAGE

When ordering supplies, please use the correct part numbers as listed below.



Caution

Be sure to use only genuine SHARP parts and supplies.



For best copying results, be sure to use only SHARP Genuine Supplies which are designed, engineered, and tested to maximize the life and performance of SHARP copiers. Look for the Genuine Supplies label on the toner package.

Supply list

Supply	Part number	Usable life
TD cartridge	AL-80TD*	Approx. 3,000 sheets*
Drum cartridge	AL-80DR	Approx. 20,000 sheets

* Based on copying onto letter-type paper at 5% toned area
(The life of the TD cartridge which has been included in the copier at the factory is approximately 1,500 sheets.)

Proper storage

1. Store the supplies in a location that is:
 - clean and dry,
 - at a stable temperature,
 - not exposed to direct sunlight.
2. Store copy paper in the wrapper and lying flat.
 - Paper stored out of the wrapper or in packages standing on end may curl or get damp, resulting in paper misfeeds.

MOVING INSTRUCTIONS

When moving this copier, follow the procedure below.



Note

When moving this copier, be sure to remove the TD cartridge from the machine. This prevents toner from spilling inside the machine during shipment.

- 1** Turn the power switch off and disconnect the power cord.
- 2** Remove the printer interface cable. (AL-840 only)
- 3** Push gently on both sides of the front cover to open the cover.
- 4** Gently pull the TD cartridge out. See page 28, **TD CARTRIDGE REPLACEMENT**.
- 5** Remove the copy paper from the paper tray. To remove the paper, see page 34, **Misfeed in the paper tray**.
- 6** Remove the paper tray from the copier.
- 7** Gently push the paper output tray back into the copier until it stops.
- 8** Attach to the left side of the copier the screw that has been saved. See page 11, **REMOVING PROTECTIVE PACKING MATERIALS**.



Caution

When shipping the copier, the screw must be reinstalled to prevent shipping damage. This screw will secure the scanning head. If the power has been turned off while an original was being scanned, the scanning head is not at the left end position. In this case, turn on the copier and then turn it off after checking to ensure that the head is at the left end position.

- 9** Close the front cover.
- 10** Attach the packing materials and tape which were removed during installation of the copier. See page 11, **REMOVING PROTECTIVE PACKING MATERIALS**.
- 11** Pack the copier into the carton. See page 10, **CHECKING PACKED COMPONENTS AND ACCESSORIES**.

INDEX

A

- Auto clear 25, 26
- Automatic exposure adjustment 42
- Auto power shut-off mode 25, 26

C

- Cautions 3
- Cautions on handling 9
- Copier trouble? 34
- Copying
 - large original 21
 - normal 18
 - reduction/enlargement 22
 - two-sided 23
- Copy paper 18
- Copy quantity 20
- Copy ratio 22

D

- Dark key 22
- Drum cartridge
 - indicator 7, 41
 - replacement 29

E

- Enlargement 22
- Exposure adjustment 21

F

- Features 4
- Fixed copy ratio 22

I

- Initial settings 17
- Installation
 - interface cable 16
 - location 8
 - TD cartridge 12

L

- Light key 22
- Loading copy paper 14

M

- Maintenance 31
- Manual exposure 21

Misfeed removal

- exit area 36
- in the copier 35
- paper tray 34
- Moving instructions 45

N

- Names
 - operation panel 7
 - part 6

O

- ON LINE indicator 7
- Operation panel
 - initial settings 17
 - part names 7
- Original cover 6
- Original table 6

P

- Packed components 10
- Paper
 - loading 14
 - special 18
 - specifications 18
- Paper detection mode 27
- Paper output tray 6
- Paper size 18
- Paper tray 6
- Part names 6
- Photo mode 7, 21
- Power cord 10, 15
- Power on 17
- Power save modes 25, 26
- Power switch 6, 17
- Preheat mode 25, 26
- Print key 20
- Protective packing materials 11

R

- Ready indicator 7
- Reduction 22
- Replacement
 - drum cartridge 29
 - TD cartridge 28

S		Toner save mode	25
Screw	11, 45	Total number of copies	41
Special paper	18	Troubleshooting	37
Specifications		Two-sided copying	23
- copier	43	U	
- paper	18	User maintenance	
Status indicators	41	- cabinet	31
Supply		- drum cartridge	32
- life	44	- original cover	32
- part number	44	- original table	32
- storage	44	Z	
T		Zoom	22
TD cartridge			
- indicator	7, 41		
- installation	12		
- replacement	28		

WARNING:
 FCC Regulations state that any unauthorized changes or modifications to this equipment not expressly approved by the manufacturer could void the user's authority to operate this equipment.

Note:
 This equipment has been tested and found to comply with the limits for a Class B digital device, pursuant to Part 15 of the FCC Rules. These limits are designed to provide reasonable protection against harmful interference in a residential installation. This equipment generates, uses and can radiate radio frequency energy and, if not installed and used in accordance with the instructions, may cause harmful interference to radio communications. However, there is no guarantee that interference will not occur in a particular installation. If this equipment does cause harmful interference to radio or television reception, which can be determined by turning the equipment off and on, the user is encouraged to try to correct the interference by one or more of the following measures:

- Reorient or relocate the receiving antenna.
- Increase the separation between the equipment and receiver.
- Connect the equipment into an outlet on a circuit different from that to which the receiver is connected.
- Consult the dealer or an experienced radio/TV technician for help.

NOTE: Must be used with shielded data cables only.

IMPORTANT SERVICE INFORMATION

If a Problem Occurs

Most operational questions can be answered by referring to the Operation Manual. Also, for your convenience, you will find answers to most frequently asked questions on our website at www.sharp-usa.com. You can also email your service questions to www.digitalcopiersupport@sharpsec.com. Should you require further assistance, call Sharp at 1-630-378-3590. A Customer Relations Specialist will assist you. Before your call, please be ready to provide the model number of your Product, Serial Number, Date of Purchase, description of the problem, and a valid Credit Card Number (should it be required).

How Exchange is Obtained

A replacement unit in exchange for your copier is provided directly by Sharp to any U.S. location. You will be required to provide consent for acceptance of an exchange unit and provide credit card authorization. At that time, Sharp will ship to you, at no cost, an exchange for your defective Product. The exchange unit we ship to you will be new or remanufactured. Upon your receipt of the exchange unit, packing and shipping instructions will be enclosed for you to return the defective unit. Upon Sharp's receipt of the defective unit, your credit card hold will be released.

How Warranty Repair Service is Obtained

If you prefer that we repair your unit instead of replacing it, our Customer Relations Specialists at 1-630-378-3590 will explain how to obtain warranty repair service. **Please be sure to retain the original packaging materials in order to facilitate shipment.** The shipment of the defective unit will be at your expense; please be sure it is insured and packaged securely. Upon repair of your unit, Sharp will promptly return it at no cost to you at any U.S. location.

What You Must Do

Your Product is designed to perform with a minimum amount of user maintenance. However, you are responsible for the required user maintenance described in the Operation Manual. This requires user maintenance including replacement of the TD cartridge and drum cartridge, cleaning of the unit and transfer charger, removal of dust and foreign matter, clearing of paper misfeeds, and proper routine and preventive maintenance.

Service After Expiration of Warranty Coverage

Should you require service repair after warranty coverage has expired, contact Sharp at 1-630-378-3590 for information.

END-USER LIMITED WARRANTY

SHARP ELECTRONICS CORPORATION warrants to the first end-user purchaser that this Sharp brand product (the "Product"), when shipped in its original container, will be free from defective workmanship and materials, and agrees that it will, at its option, either repair the defect or replace the defective Product or part thereof with a new or remanufactured equivalent at no charge to the purchaser for parts or labor for the period(s) set forth below.

This warranty does not apply to any appearance items of the Product nor to the additional excluded item(s) set forth below nor to any Product the exterior of which has been damaged or defaced, which has been subjected to improper voltage or other misuse, abnormal service or handling, or which has been altered or modified in design or construction.

In order to enforce the rights under this limited warranty, the purchaser should follow the steps set forth below and provide proof of purchase to the servicer.

To the extent permitted by applicable state law, the warranties set forth herein are in lieu of, and exclusive of, all other warranties, express or implied. Specifically, ALL OTHER WARRANTIES OTHER THAN THOSE SET FORTH ABOVE ARE EXCLUDED. ALL EXPRESS AND IMPLIED WARRANTIES INCLUDING THE WARRANTIES OF MERCHANTABILITY, FITNESS FOR USE, AND FITNESS FOR A PARTICULAR PURPOSE ARE SPECIFICALLY EXCLUDED. If, under applicable state law, implied warranties may not validly be disclaimed or excluded, the duration of such implied warranties is limited to the period(s) from the date of purchase set forth below.

Neither the sales personnel of the seller nor any other person is authorized to make any warranties other than those described herein, or to extend the duration of any warranties beyond the time period described herein on behalf of Sharp.

The warranties described herein shall be the sole and exclusive warranties granted by Sharp and shall be the sole and exclusive remedy available to the purchaser. Correction of defects, in the manner and for the period of time described herein, shall constitute complete fulfillment of all liabilities and responsibilities of Sharp to the purchaser with respect to the Product, and shall constitute full satisfaction of all claims, whether based on contract, negligence, strict liability or otherwise. In no event shall Sharp be liable, or in any way responsible, for any damages or defects in the Product which were caused by repairs or attempted repairs performed by anyone other than an authorized servicer. Nor shall Sharp be liable or in any way responsible for any incidental or consequential economic or property damage. Some states do not allow limits on warranties or on remedies for breach in certain transactions; in such states, the limits herein may not apply.

Model Specific Section

Your Product Model Number & Description:	AL-800/840 Digital Laser Copier (Be sure to have this information available when you need service for your Product.)
Warranty Period for this Product:	Three (3) years from date of purchase except for the toner and developer cartridge and the drum cartridge supplied with the Product, which are warranted for fifteen (15) days from date of purchase. Any Disk media supplied with the Product is warranted for replacement only and limited to ninety (90) days from date of purchase (Model AL-840 only).
Additional Item(s) Excluded from Warranty Coverage (if any):	The warranty does not apply to defects or damage resulting from improper or inadequate maintenance by the purchaser (see Operation Manual) or the use of non-genuine Sharp Toner & Developer and Drum Cartridges. Printer Interface Cable (Model AL-840 only). Software (Model AL-840 only, see Software License Sheet)
Where to Obtain Service:	Service is available in the United States from Sharp. You may ship in your Product for repair or replacement. Replacement units may be remanufactured, rather than new, but your original limited warranty will continue for the remainder of your original warranty period or ninety (90) days from the date we send the replacement unit to you, whichever is longer.
What to do to Obtain Service:	Call Sharp at 1-630-378-3590 to obtain a Return Authorization Number and shipping instructions. A technician will work with you on the phone and if it is determined that your Product needs service, you will have your choice of having your unit repaired or replaced to any U.S. location. Be sure to have <u>Proof of Purchase</u> available.

TO OBTAIN PRODUCT INFORMATION, CALL **1-800-BE-SHARP**.

